

X band DRO

- Low phase noise
- Buffered output
- Single DC Supply Operation

Option

- output power up to 25dBm
- Single DC Supply Operation
- Other frequency on request

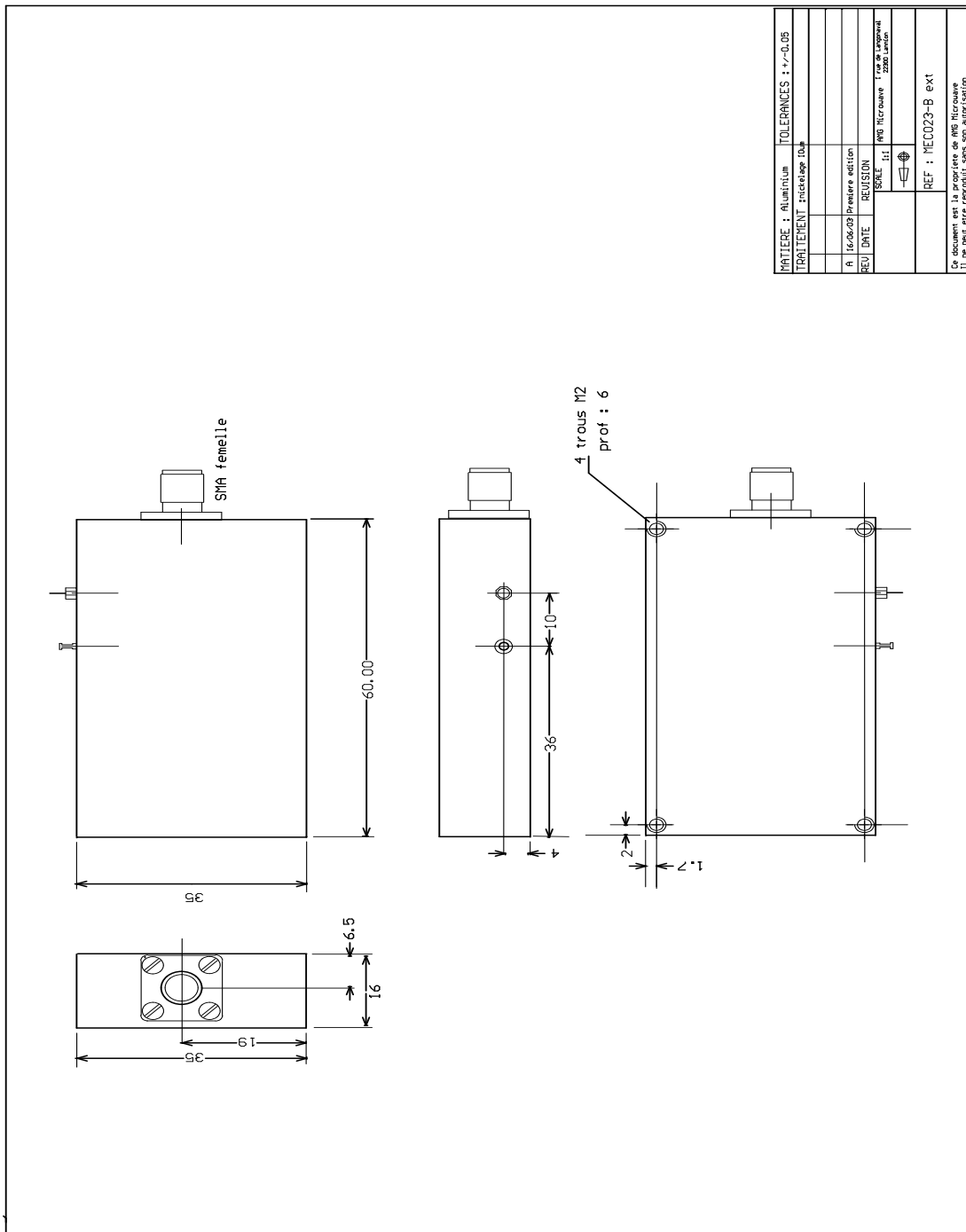
Typical Performance Specifications

Electrical specifications		Unit
Frequency	11,6	GHz
Mechanical tuning range	±20	MHz
Output Power (min à 20°C)	13	dBm
Output power variation (over temp. range)	+/-2	dB
Frequency drift	<5	ppm/°C
Phase Noise@10KHz	-80	dBc/Hz
Spurious	<-70	dBc
Harmonics	<-25	dBc
Pushing	<15	kHz/V
Pulling (ROS 1,5: 1)	<5	MHz

Supply Voltage		
Voltage	15+/-1	V
Typical Current	<150	mA

Mechanical specifications		
Case	aluminium nickel plated	
Size (MEC023 rev C)	60 x 35 x 16	mm
RFConnector	SMA femelle	
Supply voltage	Solder pin	

Environnement		
Operating temperature	-20 à +70	°C
Storing temperature	-40 à +80	°C



DISCLAIMER :

Different technical specifications are possible upon request, AMG reserves the right to make modifications to the design and characteristic of the product at any times and without prior notice