



# RACON - X AND S

Hekleo 2XS - Aids to Navigation Racon

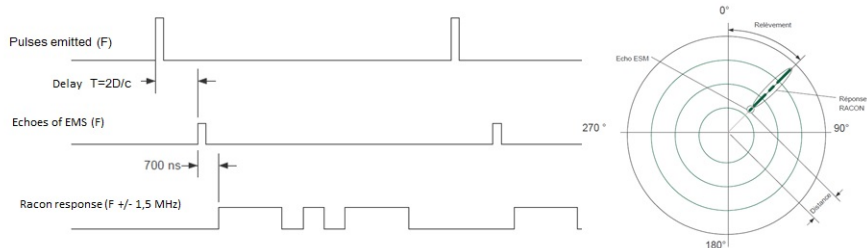
- Marine guidance
- Danger signs
- Equipment compliant with IALA R101r1 recommendation

## DESCRIPTION

The RACON system (RADar beaCON) is a radar transponder intended for maritime navigation. It captures the transmission frequency of a ship's radar and responds on the same frequency using a Morse type code. This beacon is used to identify an obstacle or a hazard.

Compliant with IOM and IALA recommendations, the RACON HEKLEO-2 XS operates on S (2.9 - 3.1 GHz) and X (9.3 - 9.5 GHz) bands to provide essential service in all weather conditions.

## USE

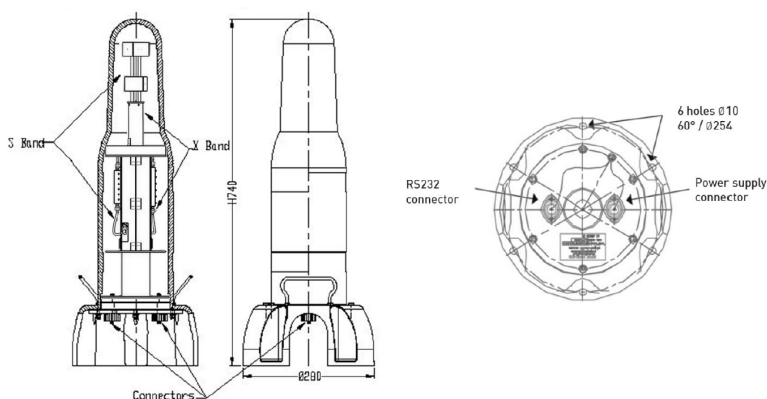


- A BeaCON or racon RADar is a transponder used in maritime navigation. Interrogated by the pulses of the ships' radars, it responds by emitting a very identifiable message on a radar screen.
- The response is a series of dashes and dots of a MORSE code
- The answer begins with a line that appears 75 m after the echo from the buoy
- A racon is a microwave beacon, which is visible day and night, in all weather conditions.

## APPLICATIONS

- Hazard marking letter 'D'
- Axis of a channel
- Bridge pier identification
- Wind farm cardinal
- Aquaculture Farm Cardinal

## ADDITIONAL INFORMATION



## FEATURES

- 9.3-9.5 GHz and 2.9-3.1 GHz
- Output power >1W
- Sensitivity -50 dBm
- Response to pulse width of 50 ns to 2000 ns
- Frequency accuracy  $\pm 1.5$  MHz
- Letters A à Z, from 0 to 9, NW, NE, SW, SE
- Consumption quiescent 6 mA / active 250 mA per band
- Supply voltage 9 V to 36 V
- Advanced energy management
- SLS, Side Lobes Suppression, large dynamic
- Total weight 8.2 kg

**DISCLAIMER:** AMG Microwave reserves the right to make modifications to the design and characteristics of this product at any time and without prior notice.  
document reference: AMG090-001



11, rue Louis de Broglie Z.I PEGASE 22300 LANNION | contact@amg-microwave.com | +33(0)2 96 37 79 54